

Part number

# CX 50 M



## Brief description:

male coaxial contacts 50 Ohm


### Product description

<b>Model</b>	male contacts
<b>Version</b>	crimp / solder coaxial contacts
<b>Series</b>	male coaxial contacts 50 Ohm
<b>Family</b>	crimp contacts
<b>N. of poles</b>	1 pole fibre optics

### Further technical details

<b>Weight</b>	15,00 g
---------------	---------

### Approvals / Standards

<b>Quality mark</b>	 EAC
---------------------	-----------------------------------------------------------------------------------------

### Conformity

### General ordering information

<b>EAN13 code</b>	8015747173391
<b>Tariff number</b>	85369095

### Packaging Information

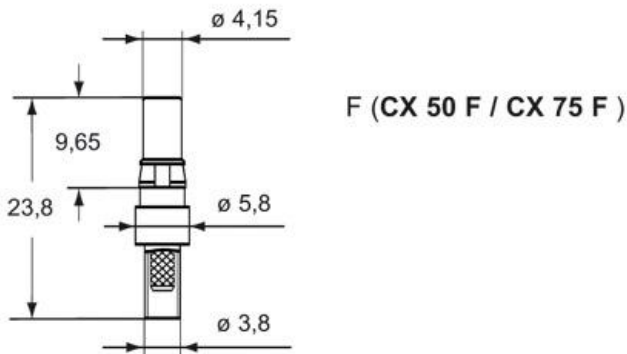
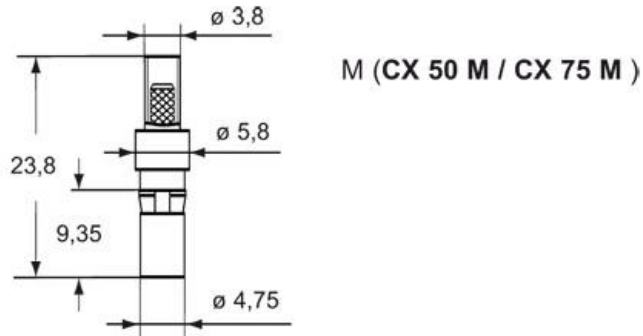
<b>Sub-packaging length</b>	50,00 mm
<b>Sub-packaging height</b>	44,00 mm
<b>Sub-packaging width</b>	50,00 mm
<b>Sub-packaging weight</b>	0,06 kg
<b>Sub-packaging volume</b>	0,11 dm <sup>3</sup>
<b>Sub-packaging description</b>	Plastic box
<b>Sub-packaging quantity</b>	4 Pcs
<b>Sub-packaging EAN barcode</b>	8015747174527

Part number

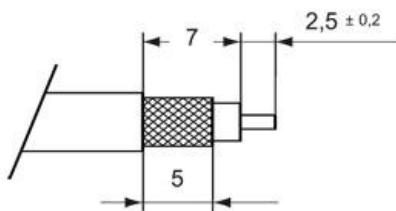
# CX 50 M



Catalogue drawings



1.



## Notes

Contacts CX 50 and CX 75 :

- rated current: 1.5A

- to crimp contacts CX 50 M/F, CX 75 M/F use tool COPZ
- in accordance with standard DIN 41625 part 2
- finishing: contact surfaces and body gold plated, back end and ferrule nickel plated
- frequency range: < 2 GHz
- reflection coefficient: < 0,1
- rated voltage: 50V